

IEC Appliance Inlet C6, insert Mounting, Front or Rear Side, Solder, PCB or Quick-connect Terminal

**Description**

Drop-in type, Appliance Inlet, Pin temperature 70 °C Protection class I
 - Solder, Quick Connect or PCB Terminal

Approvals

- VDE Certificate Number: 40002273
- UL File Number: E96454
- CSA File Number: 27324

Characteristics

- Contact pins are turned from solid material

References

We recommend for new applications the type 0724

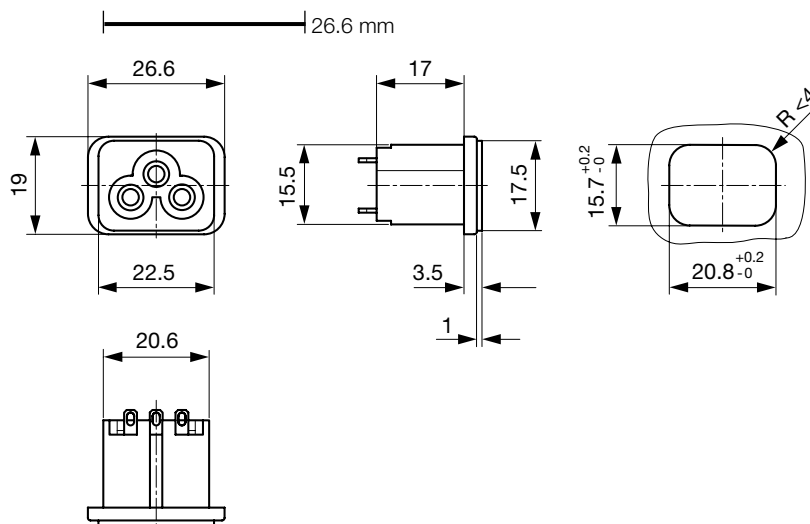
Weblinks

[pdf](#), [html](#), [General Product Information](#), [Approvals](#), [RoHS](#), [CHINA-RoHS](#), [Mating Connectors](#), [e-Shop](#), [SCHURTER-Stock-Check](#), [Distributor-Stock-Check](#), [Accessories](#)

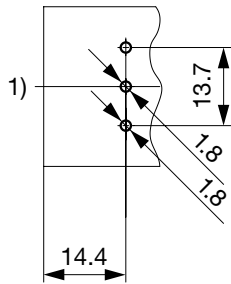
Technical Data

Ratings IEC	2.5 A / 250VAC; 50Hz
Ratings UL/CSA	2.5 A / 250VAC; 60Hz
Dielectric Strength	> 4 kVAC between L-N > 2 kVAC between L/N-PE (1 min/50Hz)
Allowable Operation Temp.	-25 °C to 70 °C
Degree of Protection	from front side IP 20 acc. to IEC 60529
Protection Class	Suitable for appliances with protection class 1 acc. to IEC 61140
Material: Housing	PA6, black, UL 94V-0

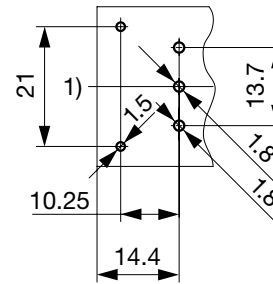
Appliance Inlet	C6 acc. to IEC/EN 60320-1 UL 498, CSA C22.2 no. 42 (for cold conditions) pin-temperature 70 °C, 2.5A, Protection Class 1
-----------------	---

Dimensions

Length of the terminal please find at the order code configuration table



Drilling diagram
1) Panel side



Drilling diagram with retaining bracket
1) Panel side

Config. Code

2563 - H - A B C 0 - D - E

The characters are placeholders for the correspondingly keys of selections from the key tables.

2563 - **H** - A B C 0 - D - E = Type

Type	Configuration key
protection class 1	X

2563 - H - **A** B C 0 - D - E = Terminals

Terminal L	Configuration key
short solder terminal (L = 4.8 mm)	2
long solder terminal (L = 8.5 mm)	3
PCB-terminal (standard)	4
Blade terminal (2.8 x 0.8 mm)	7



2563 - H - A **B** C 0 - D - E = Terminals

Terminal N	Configuration key
short solder terminal (L = 4.8 mm)	2
long solder terminal (L = 8.5 mm)	3
PCB-terminal (standard)	4
Blade terminal (2.8 x 0.8 mm)	7

Symbols similar as in table A

2563 - H - A B **C** 0 - D - E = Terminals

Terminal Ground	Configuration key
short solder terminal (L = 4.8 mm)	2
long solder terminal (L = 8.5 mm)	3
PCB-terminal (standard)	4
Blade terminal (2.8 x 0.8 mm)	7

Symbols similar as in table A

2563 - H - A B C 0 - **D** - E = Color

Color	Configuration key
Black	A

2563 - H - A B C 0 - D - **E** = Style

Style	Configuration key
insert type	5

Variants

Config. Code	Description	Order Number
2563--4440-A-5	2563, IEC Appliance Inlet C6, 70°C, version: 1, L: PCB-terminal (standard), N: PCB-terminal (standard), ground: PCB-terminal (standard), color: Black, design: insert type	6160.0003

The listed variants should be available from stock. Other versions on request www.schurter.com/contact

Packaging unit 100 Pcs

Mating Outlets/Connectors

Category / Description



[Power Cord Overview complete](#)

Power Cord with IEC Connector C5, Angled	2512
Power Cord with IEC Connector C5, Straight	2530

[Power Cord further types to 2563](#)
